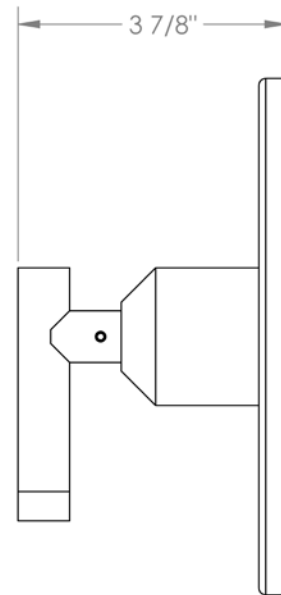
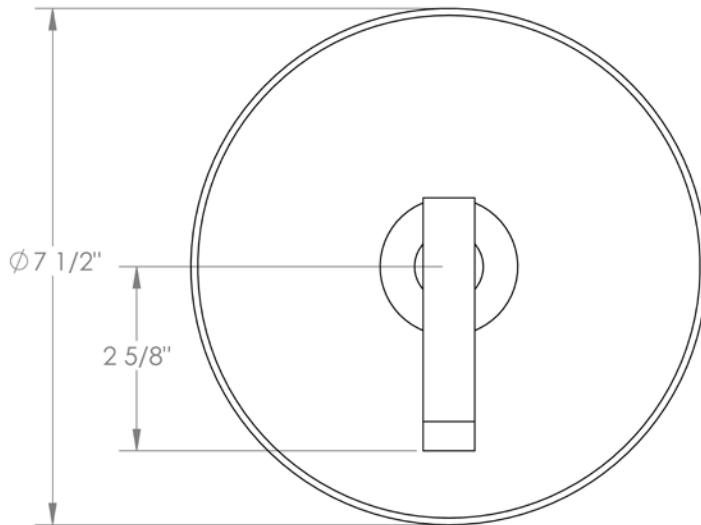


25-P80-IN14

Pressure Balance Shower Trim Kit

For use with SS-PB75 pressure balance valve



Meets the applicable requirements of ASME A112.18.1-2005/CSA B125.1-05, entitled "Plumbing Supply Fittings"

25-P80-IN16

Trim Kit Only for Pressure Balance Valve
Requires SS-PB75 concealed rough

